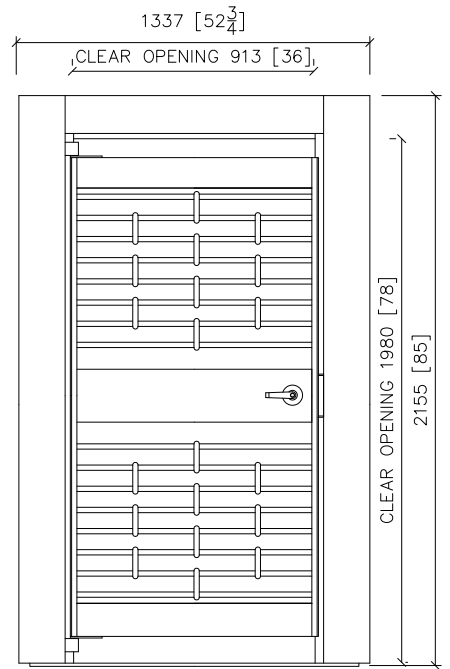
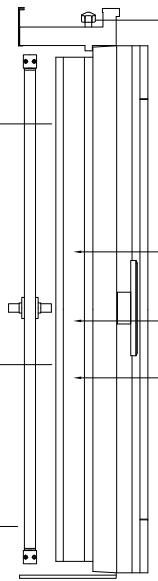


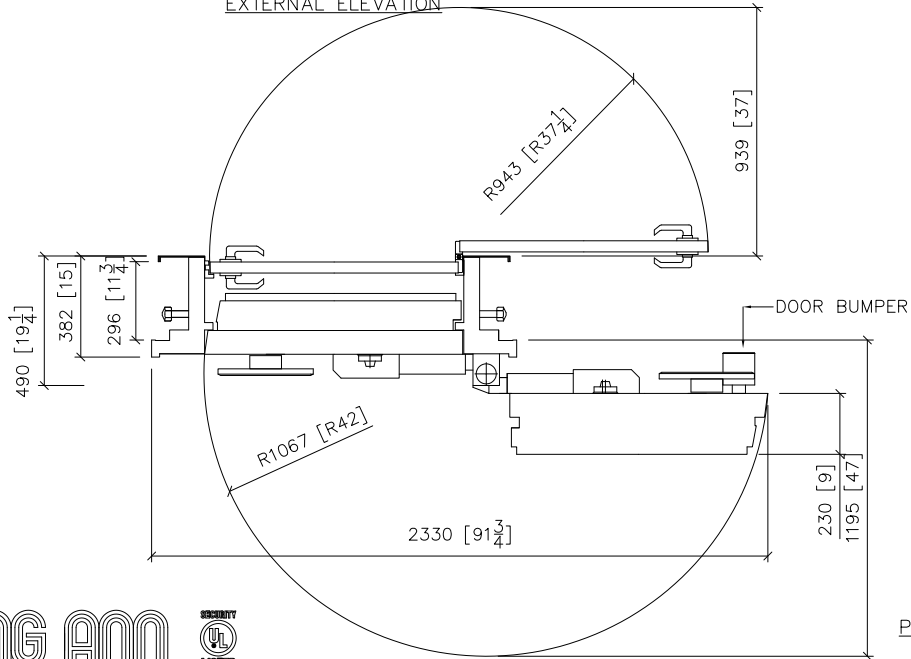
- STAINLESS STEEL TRIM BOX
- ADJUSTABLE HINGES
- FULL LENGTH LOCKING BAR
- DUAL CONTROL COMBINATION LOCKS
- OPERATING WHEEL
- DOOR ALARM SWITCH
- STAINLESS STEEL DOOR CLADDING
- STAINLESS STEEL DAYGATGE
- INSTALLATION JACK-BOLT
- TIME LOCK MOUNTING PLATE
- EMERGENCY VENTILATOR
- DETENTION LOCK



EXTERNAL ELEVATION

SECTION

INTERNAL ELEVATION



PLAN VIEW

SPECIFICATIONS:

- UL LISTED:
UL CLASS 1 LISTED VAULT DOOR.
- TIME LOCK(OPTION):
UL LISTED THREE MOVEMENT ANTI-SHOCK TIME LOCK WITH EMERGENCY RELEASE.
- EMERGENCY VENTILATOR:
EMERGENCY VENTILATOR .
- LOCKS:
UL LISTED GROUP 1, 4-Wheel COMBINATION LOCKS.
(STANDARD) DUAL CONTROL COMBINATION LOCKS SYSTEM .
(OPTION) TRIPLE CONTROL COMBINATION LOCKS SYSTEM.
- SURFACE:
ALL EXPOSED METAL SURFACE ARE FINISH IN GLEAMING STAINLESS STEEL INCLUDING THE MASSIVE FULL LENGTH LOCKING BAR. DOOR EDGE AND JAMB AREA.
- WEIGHT: 1320Kg (2910 LBS)



REVISION	DATE	DESCRIPTION	DRAWN BY	DESIGNED BY	SCALE	PROJECT	DRAWING NAME	PROJECT No.	DRAWING No.
-	-	-	EMMA	-	NIL		STANDARD VAULT DOOR		
			CHECKED BY	APPROVAL	DATE		UL CLASS 1 RIGHT SWING	-	SV-010102
					2008-2-19				